

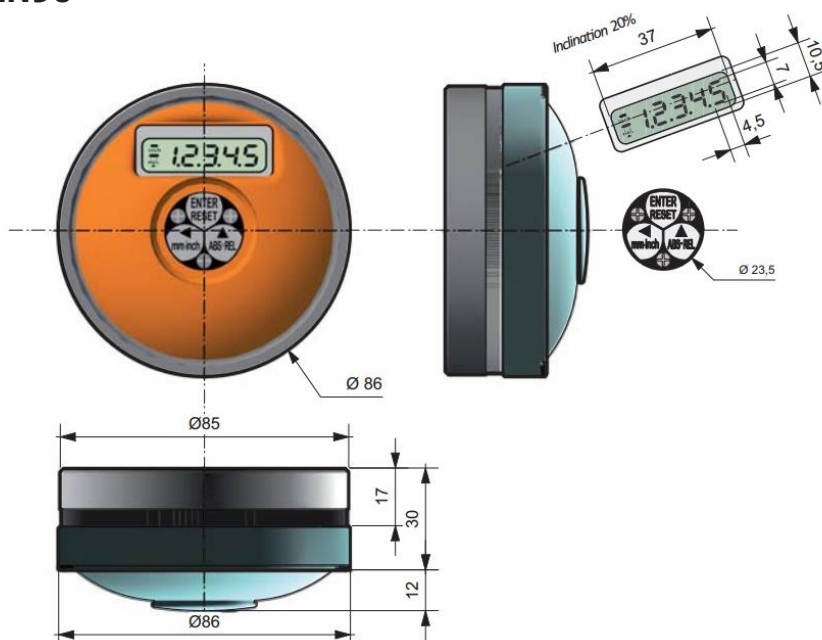
### Characteristics

- Programmable electronic indicator for the measurement of linear or rotary movements
- Suitable for various types of industrial equipment
- Display: 5 digits plus negative sign
- 7,5 mm digit height, which can easily be read also at higher distance
- Easy programming of device parameters: reset/preset function; absolute/relative measurement; any ratio; inch/mm/degree; measurement direction
- The instrument and buttons are protected
- Available versions:
  - **EN90 is a gravity indicator** suitable for installation on horizontal shafts; Can be supplied with hand wheel models P125P, P150P, P175P, P200P or the P100L starwheel
  - **EN90F is a fixed-reaction indicator** suitable for mounting on vertical or inclined shafts. Can be supplied with hand wheel models P125PF, P150PF, P175PF, P200PF or the P100FL starwheel



### Dimensions

#### EN90



FOR HORIZONTAL INSTALLATION

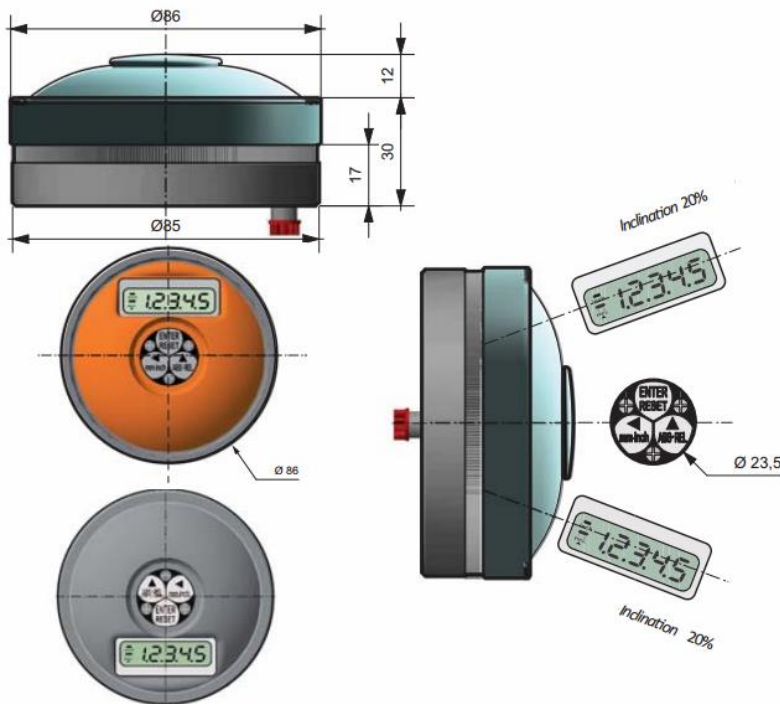
View



# Datasheet

## Dimensions

### EN90F



For any position

STANDARD VIEW



"A"

OPTIONAL VIEW



"B"

## Technical data

Power supply	1/2 AA 3,6 V Battery (Lithium-thionyl chloride)
Battery life	4 years of continuous use
Weight	110 g
Max. RPM	400 RPM in continuous use - 1000 RPM for brief periods
Resolution	4000 impulses/revolution
Range	-99999;99999
Display	LCD 7,5 mm digit height
Parameters	reset/preset, absolute/incremental, mm/Inch/Grad, 3 origin points
Keyboards	3 buttons for programming and functions
Working temperature	0-50°C
Relative humidity	35-85%
Protection class	IP54
Housing	Plastic with transparent shockproof polycarbonate cover
Electromagnetic compatibility	2004/108/EC

**Ordering example**

**EN90F - A - GR**

**Type**

EN90 = horizontal installation  
EN90F = vertical/inclined installation

**View Only for EN90F**

A= standard 20° inclined view  
B= optional 20° inclined view

**Colour**

R= Orange  
GR= Anthracite gray