

Datasheet

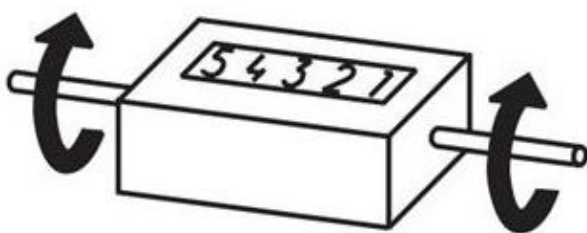
- 5 digits
- Mechanical counters for length measurement
- With default setting for switch-off position
- Zero position can be set manually using the red button
- With microswitch: 5A (250 VAC)



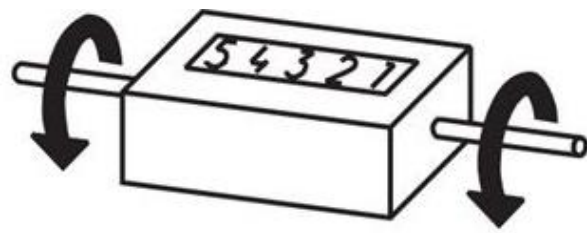
Mechanical Data

Dimension	
Housing	92 x 80 x 69 mm
Shaft	Ø 7 mm
Material	
Housing	Aluminium
Shaft	Steel
Display	
Preset Value	5-digits
Digits High	8 mm
Rotational Speed	500 rpm
Transmission Ratio	
Meter Counter	2:1 Measuring Wheel 50 cm
Revolutions	0000,5

Counting Direction



Away from the viewer
 Counting direction: **ascending on the right R**
 clockwise



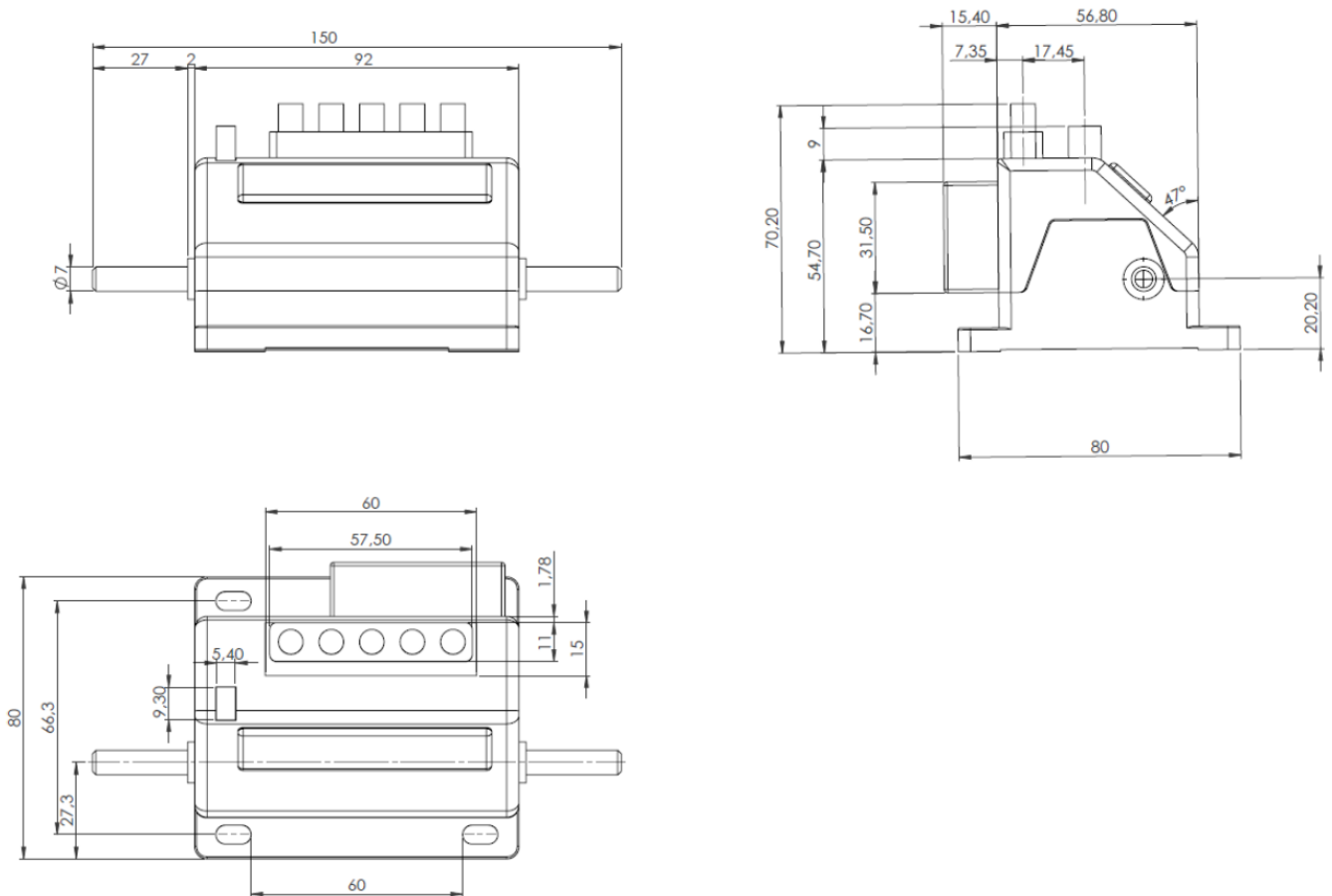
Towards the viewer
 Counting direction: **ascending on the left L**
 counter-clockwise

Electrical Data

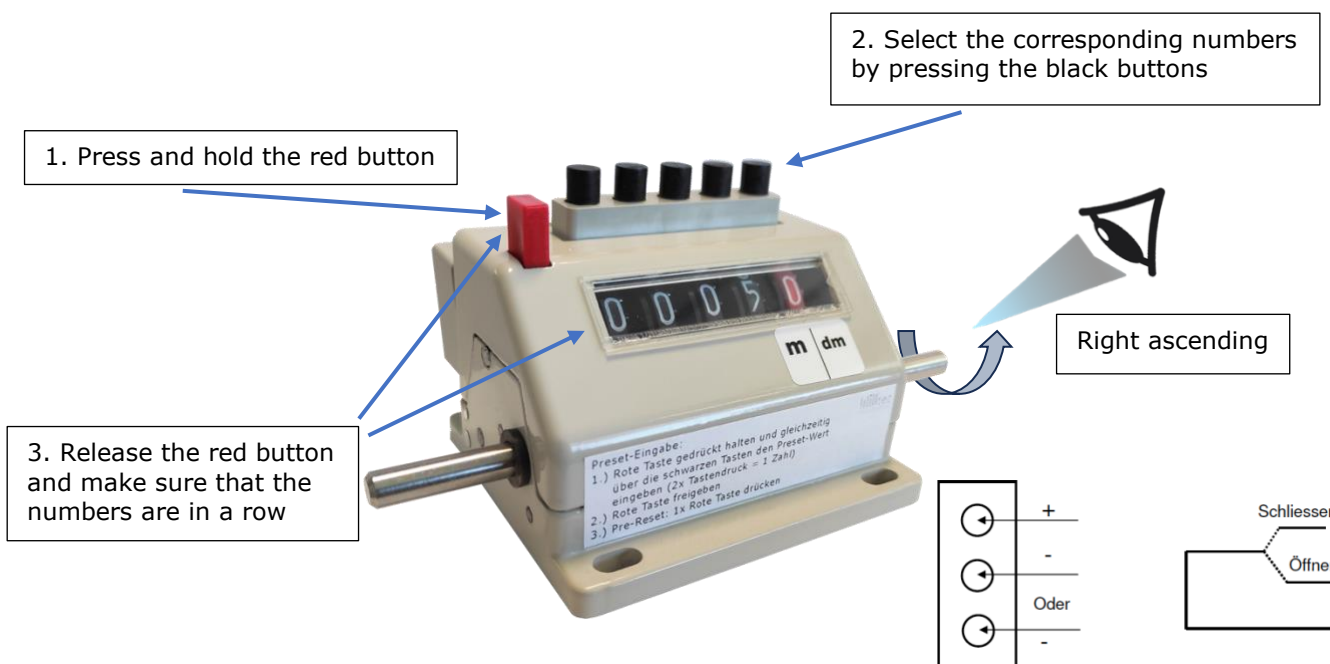
Microswitch	5 A (250 VAC)
-------------	---------------

Datasheet

Dimensions



Operation



Datasheet

Ordering Example

Meter Counter - Mechanical **MZ/M** - **530** - **0000,5** - **R** - **0** - **X**

Counter
530

Display Value/ Revolution
0000,5 = 5-digits

Counting Direction

L = ascending on the left
R = ascending on the right

Version

0 = Standard

Measuring Wheels

X = without Measuring Wheel

Without prior notice, the products may be subject to modifications that the Manufacturer reserves to introduce as deemed necessary for their improvement.